

1 Products affected

Product hierarchy no. *			Part no.	SBU	Type / Description	Customer part no.
SBU	PG	PGU	Type			
02	006	016	0000001600	5145.xxxx.xxx	Power entry module with filter	5145
02	006	016	0000001603	DF12.xxxx.xxx	Power entry module with filter	DF12
02	006	017	0000001601	EF12.xxxx.xxxx.xx	Power entry module with filter	EF12

*SBU (2-digit) / PG (3-digit) / PGU (3-digit) / Type (10-digit)

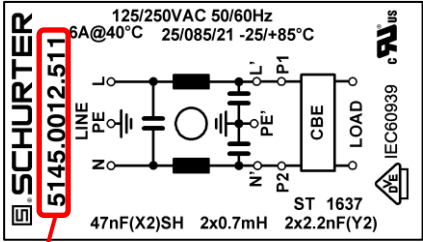
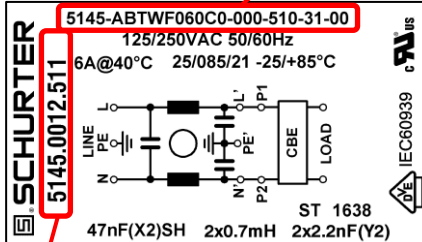
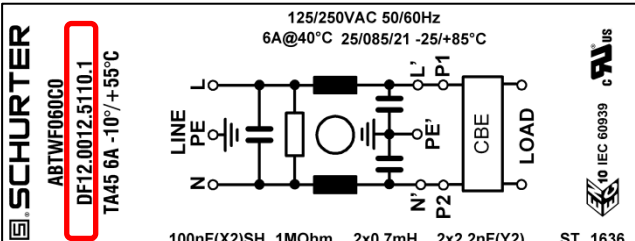
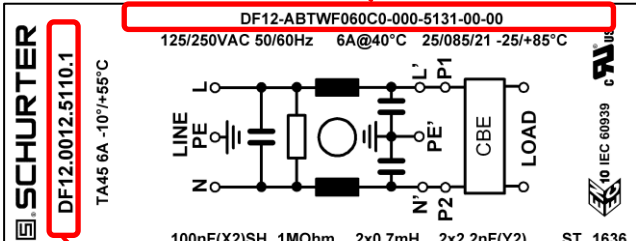
2 Type of change

Labeling change

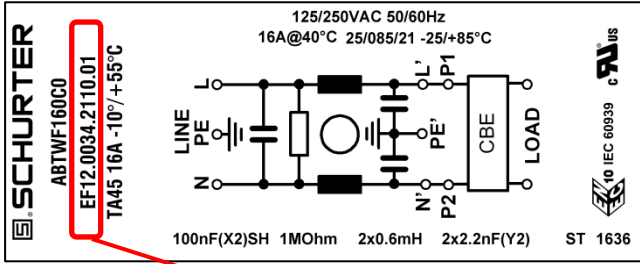
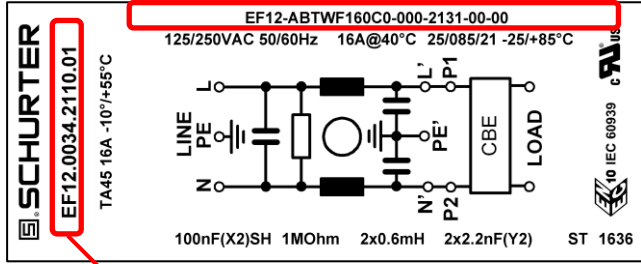
3 Detailed description of change

The filter has now a part number and configuration code instead of the order code.

Order code: product identification and configuration
 Part number: product identification
 Configuration code: product configuration

Old label: With order code	New label: With part number and configuration code
<p>Type 5145</p>  <p>Order code</p> <p>Label: 0960.0472 (38x22mm)</p>	<p>Type 5145</p>  <p>Part number</p> <p>Configuration code</p> <p>Label: 0960.0472 (38x22mm)</p>
<p>Type DF12</p>  <p>Order code</p> <p>Label: 0960.0666 (57x23mm)</p>	<p>Type DF12</p>  <p>Part number</p> <p>Configuration code</p> <p>Label: 0960.0666 (57x23mm)</p>

Product Change Notification					PCN Power entry modules with filter		
owner	creation date	release date	released by	change order no	rev	page	D10-008-125
ismaibe	2016-09-07	2016-09-26	blumhe	2011053	A	1 of 2	

Old label: With order code	New label: With part number and configuration code
<p>Type EF12</p>  <p style="text-align: center;">Order code</p> <p style="text-align: center;">Label: 0960.0666 (57x23mm)</p>	<p style="text-align: center;">Configuration code</p>  <p style="text-align: center;">Part number</p> <p style="text-align: center;">Label: 0960.0666 (57x23mm)</p>

For existing products, the order code will be replaced with exactly the same number by the part number. For new products the part number will have a new format e.g. 3-XXX-XXX.

Please order with the part number according to the data sheet.

4 Reason of change

Due to the implementation of a new PLM system, we will separate the order code into part number and configuration code.

5 Release date

The change will be rolled-out starting ww 39/2016 (Date code 1639 or higher on label) and lasts approx. until end of the year 2017 depending on the variant.

6 Impact of change and recommended action

Form	No	No changes in the form
Fit	No	There are no dimensional changes
Function	No	No change in the specification
Production Site	No	There is no change of the production site
Product Label	Yes	Order code replaced by part number and configuration code

7 Reference Documents / Attachments

Kind of document	Document number	Remarks
Data sheet	5145	http://www.schurter.com/pdf/english/typ_5145.pdf
Data sheet	DF12	http://www.schurter.com/pdf/english/typ_DF12.pdf
Data sheet	EF12	http://www.schurter.com/pdf/english/typ_EF12.pdf

Product Change Notification					PCN Power entry modules with filter		
owner	creation date	release date	released by	change order no	rev	page	D10-008-125
ismaibe	2016-09-07	2016-09-26	blumhe	2011053	A	2 of 2	