

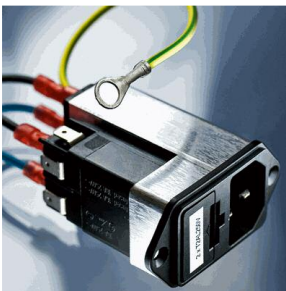
# Wire Harness via Internet

Wire harness for IEC-connectors, custom specific, fast, flexible

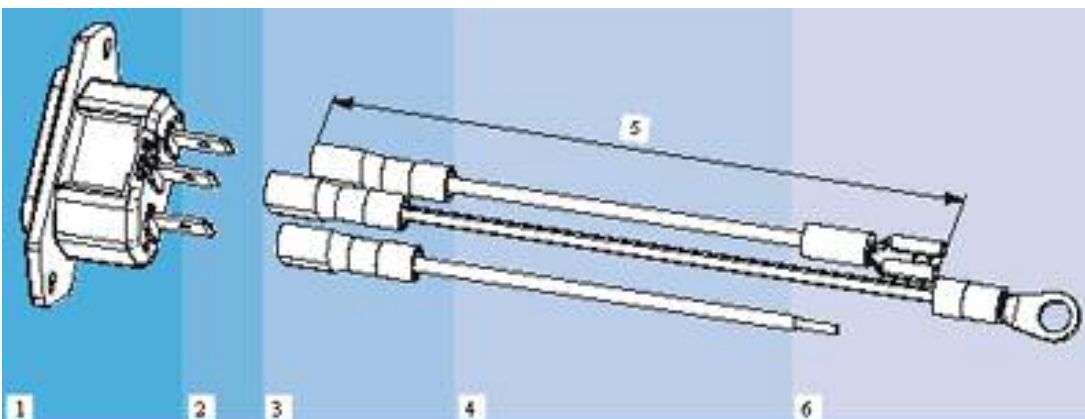
SCHURTER offers a wide range of IEC 60320 connectors, power entry modules and connectors with integrated line filters which can be used in a variety of devices and instruments for medical and electronic applications. To optimize costs, time and resources, they can now be assembled with the required cable connectors and ordered through SCHURTER's website. The new cable assembly service is used to lower cost and time in the production of electronic devices. Once the wiring units are fitted with the connector according to customer specifications, an immediate connection to other circuitry is possible. This speeds up the equipment assembly process and saves on costs with parts inventory and therefore on assembly itself.

## 1. Connectors with wire harness

IEC 60320 connector systems and EMC filter products with plug, solder or screw terminals can be custom fitted with cable connections. These are components of the family of power entry modules, inlet and outlets with and without EMC filters.



Power Entry Module KFC with wire harnesses



1) SCHURTER product type 2) Quick connect terminal 3) Wire connection SCHURTER product 4) Wire type and colour 5) Wire length 6) Wire end connection

## 2. Wire Harness Service

Requests for the wire harness service can be submitted via the website [1]. Based on the connector product data the wire harness requirements can be described using the cable assembly form and project data and the request for a quotation can be placed to SCHURTER directly. The request form on the website is self explanatory and captures the project details quickly and efficiently [2].

## 3. Wire Harness project flow

- 1) Customer inquiry  
Based on the information concerning the specification requirements communicated via the website, a project proposal will be prepared within a week.
- 2) Quotation  
A quotation will be ready within the time mentioned on the website.
- 3) Samples  
First samples will be provided before the initial start of the project to verify and guarantee the quality of the components, the wires and connections assembled.  
The delivery of the samples takes place within 5 to 10 working days supposing the proposed standard terminals and wires are used from the selector (Samples with custom specific terminals on request).  
Sample cost lump sum 150.00 CHF
- 4) Sample release  
The customer release of the first samples is an important element in the project process to ensure the specifications of the samples meet the customer requirements.
- 5) Series production  
As soon as the samples and drawings are approved by the client, the series production can start. To guarantee future deliveries and resource planning a delivery agreement with the customer will be set up.

## 4. Technical features

- Suitable for IEC 60320 connectors, power entry modules, filter products with quick connect, solder and screw on terminals
- Wires AWG18, AWG16, AWG14 according UL3266
- Wire colours brown, black, bright blue, yellow-green, etc. according to standard specification
- Wire end terminals: Quick connect, solder or screw terminals with or without insulation
- Wire end terminals custom specific on request

For more details see the General Product Information [4]

## 5. Future expansion of the wire harness services

In addition to the initially selected products [3] other product types will be added to the wire harness service in the near future, e.g. fuseholders, voltage selectors, switches.

The success of the wire harness project depends on qualified personnel as well as a professional planning and development process. People in various departments such as engineering, production, logistics and customer service need to work closely together.

The introduction of the new wire harness services of SCHURTER sets a new standard for our IEC 60320 connector services. With the extremely wide range of connector products combined with proven consulting services and the high quality of standard components SCHURTER is the competent partner for IEC 60320 connectors in power supply systems worldwide.

For further explanations visit the SCHURTER wire harness website [1].

### **Detailed-Information about wire harnessing on our website:**

[1] <http://www.schurter.ch/en/components/connectors>

[2] <http://www.schurter.ch/en/components/connectors/wire-harness-request>

[3] <http://www.schurter.ch/en/components/connectors/wire-harness-request> (SCHURTER type)

[4] <http://www.schurter.ch/en/components/connectors/general-product-information>

If you have questions or suggestions to improve the information provided, we look forward to hearing from you.

### SCHURTER Division Components

Produkt Management  
Werkhofstrasse 8-12  
CH-6002 Lucerne

[contact@schurter.ch](mailto:contact@schurter.ch)  
[www.schurter.com](http://www.schurter.com)

### **Company**

SCHURTER is a leading innovator and manufacturer of fuses, connectors, circuit breakers, input systems, EMC products and services for the PCB assembly of the electronics industry.

Our customers are manufacturer of computer and peripheral equipment, apparatus / instruments, telecommunication equipment industry, construction, medical, industrial automation, renewable energy technology, aviation and space travel, hobby, household and garden equipment.