

1 Products affected

Product hierarchy no. *			Part no.	SBU	Type / Description	Customer part no.
SBU	PG	PGU Type				
02	007	043	0000002290	4790.1100	Connectors	4790 Connector for cable 16A
				4790.1200	Connectors	4790 Connector for cable 16A
				4790.1200.01	Connectors	4790 Connector for cable 16A

*SBU (2-digit) / PG (3-digit) / PGU (3-digit) / Type (10-digit)

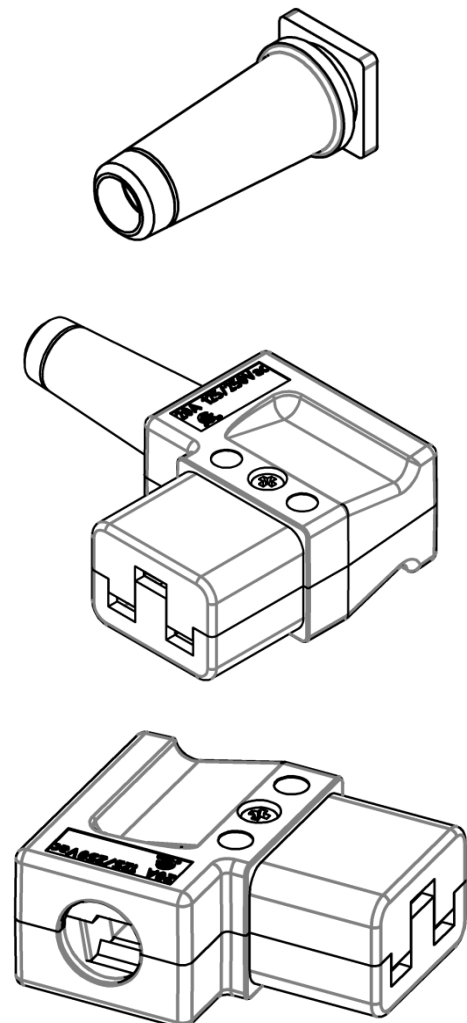
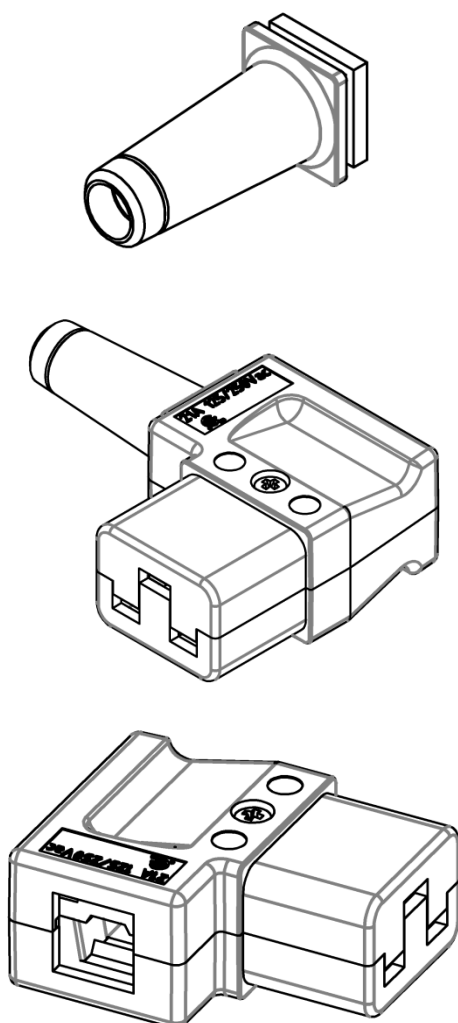
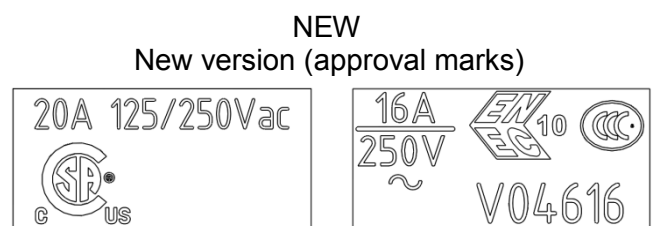
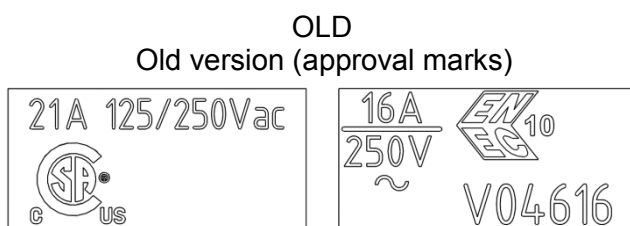
2 Type of change

Renewal of the approval marks.

The opening for the cable guard is new round for improved fixture in the housing.

The marking UL/CSA rating 21A has changed according to UL60320 to 20A.

3 Detailed description of change



4790					0118.2142	
creation date	created by	release date	released by	notification no.	revision	page
2012-11-28	haechlsa	2013-04-11	haechlsa	24635	b	1 of 2

4 Reason of change

Update and renewal of approval marks: CSA 20A 125/250Vac
CCC-Marking

To pass the stronger test requirements according to IEC 60320-1 (Sect. 22: Cords and their connection), flange and slot on the cable guard had to be reinforced. As there have been made new tools for the moulding parts the holding of the cable guard got improved with a round opening.

5 Release date

The change will be rolled-out individually by all part numbers affected starting ww 18/2013 and last approx. 2 months.

6 Impact of change and recommended action

Form: Round opening for the cable guard / New approval marks
Fit: n/a
Function: n/a
Production Site: n/a
Product Label: n/a

7 Reference Documents / Attachments

Kind of document	Document number	Remarks
PCN	0118.2109	Cable guard new with square flange

4790					0118.2142	
creation date	created by	release date	released by	notification no.	revision	page
2012-11-28	haechlsa	2013-04-11	haechlsa	24635	b	2 of 2