

1 Products affected

Product hierarchy no. *			Part no.	SBU	Type / Description	Customer part no.
SBU	PG	PGU Type				
02	007	013	0000002403	See list below	Appliance outlet	5017

*SBU (2-digit) / PG (3-digit) / PGU (3-digit) / Type (10-digit)

List of part numbers affected

6183.0004							
-----------	--	--	--	--	--	--	--

2 Type of change

Modification of approval and rating marks

3 Detailed description of change

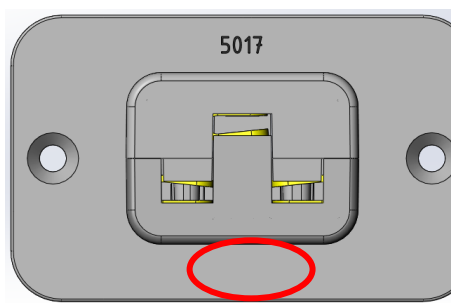
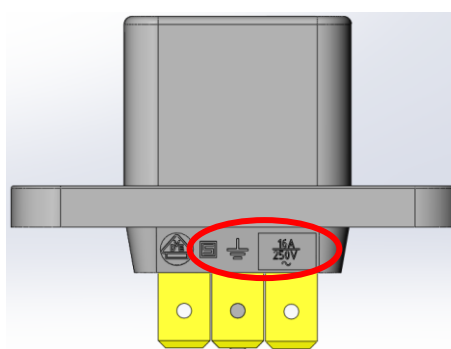
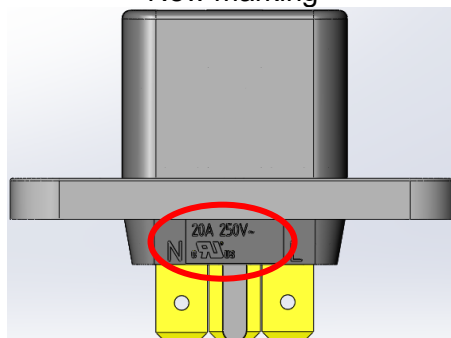
Old: 21A 125/250Vac, UR, CSA, H, CE, 16A 250Vac

New: 20A 250V~, cURus, Schurter-Logo, 16A 250V~

Old marking



New marking



5017 Appliance Outlet					0118.2201	
creation date	created by	release date	released by	notification no.	revision	page
2014-01-15	hotzar	2014-02-11	hotzar	25633	-	1 of 2

4 Reason of change

Rated current adjusted to UL 60320

5 Released date

The change will be rolled-out individually by all part numbers affected starting ww 08/2014 and last approx. 9 months.

6 Impact of change and recommended action

Form: Current rating according to UL 60320
Fit: N/A
Function: N/A
Production Site: N/A
Product Label: N/A

7 Reference Documents / Attachments

Kind of document	Document number	Remarks
Data Sheet 5017		

5017Appliance Outlet					0118.2201	
creation date	created by	release date	released by	notification no.	revision	page
2014-01-15	hotzar	2014-02-11	hotzar	25633	-	2 of 2