

1 Products affected

Product hierarchy no. *			Part no.	SBU	Type / Description	Customer part no.
SBU / PG	PGU	Type				
02	007	013	0000002409	See list below	Appliance outlet	5216

*SBU (2-digit) / PG (3-digit) / PGU (3-digit) / Type (10-digit)

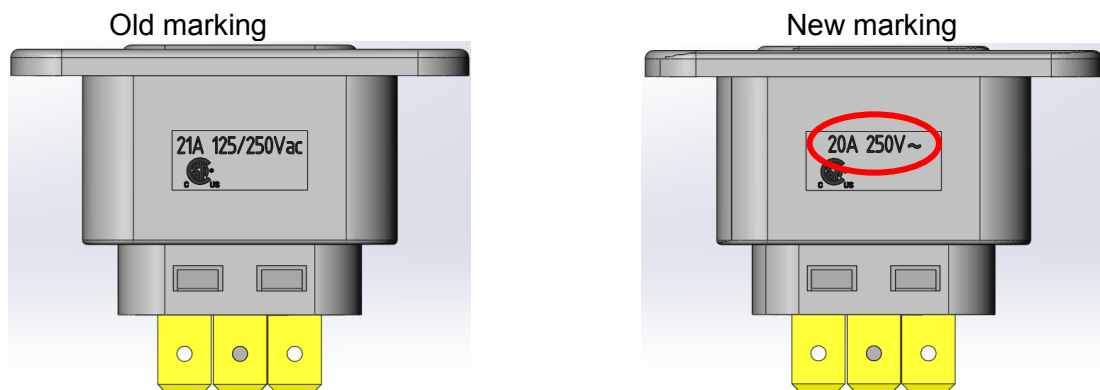
List of part numbers affected							
6183.0002	6183.0003	6183.0013					

2 Type of change

Modification of rating mark

3 Detailed description of change

Change of rated current acc. to UL 60320



4 Reason of change

Rated current adjusted to UL 60320

5 Released date

The change will be rolled-out individually by all part numbers affected starting ww 08/2014 and last approx. 9 months.

6 Impact of change and recommended action

Form: New current rating according to UL 60320
Fit: N/A
Function: N/A
Production Site: N/A
Product Label: N/A

7 Reference Documents / Attachments

Kind of document	Document number	Remarks
Data Sheet 5216		

5216 Appliance outlet					0118.2203	
creation date	created by	release date	released by	notification no.	revision	page
2014-01-21	hotzar	2014-02-11	hotzar	25633	-	1 of 1