

IEC Appliance Inlet C14 with Line Switch 2-pole



Snap-in version



Screw-on mounting



Screw-on mounting



See below:  
[Approvals and Compliances](#)

**Description**

- Panel mount :  
 Screw-on version from front or rear side, snap-in version front side
- 2 Functions :  
 Appliance Inlet Protection class I , Line Switch 2-pole
- Quick connect terminals 4.8 x 0.8 mm

**Characteristics**

- All single elements are already wired
- Unwired versions available on request
- Line switch non-illuminated or illuminated

**Other versions on request**

- Unwired versions
- Line switch with other rocker marking

**References**

Alternative: version with line filter [KFB2](#)  
 We recommend for new applications the type [DC11](#)

**Weblinks**

[pdf data sheet](#), [html datasheet](#), [General Product Information](#), [Approvals](#), [Distributor-Stock-Check](#), [Accessories](#), [Detailed request for product](#)

**Technical Data**

|                                   |   |
|-----------------------------------|---|
| Ratings IEC                       | 10A / 250VAC; 50Hz  |
| Ratings UL/CSA                    | 15A / 250VAC; 60Hz  |
| Dielectric Strength               | > 2.5kVAC between L-N<br>> 3kVAC between L/N-PE<br>(1 min/50Hz)             |
| Allowable Operation Temperature   | -25°C to 70°C   |
| IP-Protection                     | front side IP40 acc. to IEC 60529   |
| Protection against electric shock | Suitable for appliances with protection class I acc. to IEC 61140           |
| Terminal                          | Quick connect terminals 4.8 x 0.8 mm  |
| Panel Thickness S                 | Screw: max 6 mm<br>Mounting screw torque max 0.5Nm<br>Snap-in: 1.5/2/2.5 mm |
| Material: Housing                 | Thermoplastic, black, UL 94V-0  |

|                         |   |
|-------------------------|---|
| Appliance inlet/-outlet | C14 acc. to IEC 60320-1, UL 60320-1, CSA C22.2 no. 60320-1 (for cold conditions) pin-temperature 70 °C, 10A, Protection Class I |
| Line Switch             | Rocker switch 2-pole, non-illuminated or illuminated, acc. to IEC 61058-1<br><a href="#">Technical Details</a>                  |

**Approvals and Compliances**

Detailed information on product approvals, code requirements, usage instructions and detailed test conditions can be looked up in [Details about Approvals](#)

SCHURTER products are designed for use in industrial environments. They have approvals from independent testing bodies according to national and international standards. Products with specific characteristics and requirements such as required in the automotive sector according to IATF 16949, medical technology according to ISO 13485 or in the aerospace industry can be offered exclusively with customer-specific, individual agreements by SCHURTER.

**Approvals**

The approval mark is used by the testing authorities to certify compliance with the safety requirements placed on electronic products.

Approval Reference Type: KEB2

| Approval Logo | Certificates  | Certification Body | Description                      |
|---------------|---------------|--------------------|----------------------------------|
|               | VDE Approvals | VDE                | VDE Certificate Number: 40021945 |
|               | UL Approvals  | UL                 | UR File Number: E96454           |
|               | CCC Approvals | CCC                | CCC Certificate Number:          |

**Product standards**

Product standards that are referenced

| Organization | Design                | Standard              | Description   |
|--------------|-----------------------|-----------------------|---|
|              | Designed according to | IEC 60320-1           | Appliance couplers for household and similar general purposes         |
|              | Designed according to | IEC 61058-1           | Switches for appliances. Part 1. General requirements                 |
|              | Designed according to | UL 60320-1            | Standard for Attachment Plugs and Receptacles                         |
|              | Designed according to | CSA C22.2 no. 60320-1 | General Use Receptacles, Attachment Plugs, and Similar Wiring Devices |

**Application standards**

Application standards where the product can be used

| Organization | Design                         | Standard       | Description   |
|--------------|--------------------------------|----------------|---|
|              | Suitable for applications acc. | IEC/UL 62368-1 | Audio/video, information and communication technology equipment - Part 1: Safety requirements |

**Compliances**

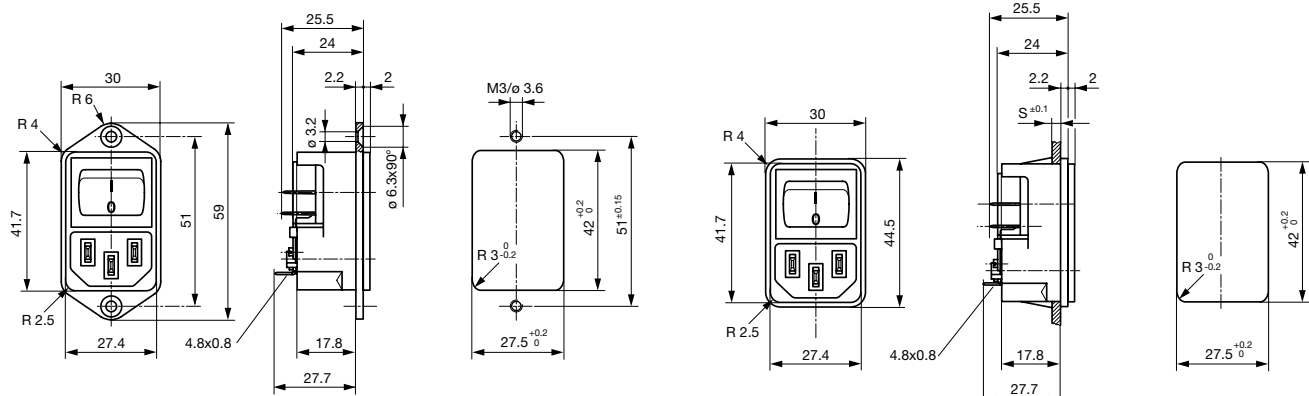
The product complies with following Guide Lines

| Identification | Details                        | Initiator   | Description   |
|----------------|--------------------------------|-------------|---|
|                | CE declaration of conformity   | SCHURTER AG | The CE marking declares that the product complies with the applicable requirements laid down in the harmonisation of Community legislation on its affixing in accordance with EU Regulation 765/2008. |
|                | UKCA declaration of conformity | SCHURTER AG | The UKCA marking declares that the product complies with the applicable requirements laid down in the British Amendment of Regulation (EC) 765/2008.  |
|                | RoHS                           | SCHURTER AG | Directive RoHS 2011/65/EU, Amendment (EU) 2015/863  |
|                | China RoHS                     | SCHURTER AG | The law SJ / T 11363-2006 (China RoHS) has been in force since 1 March 2007. It is similar to the EU directive RoHS.  |
|                | REACH                          | SCHURTER AG | On 1 June 2007, Regulation (EC) No 1907/2006 on the Registration, Evaluation, Authorization and Restriction of Chemicals 1 (abbreviated as "REACH") entered into force.                               |

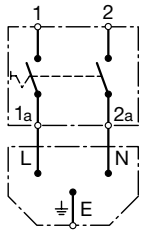
**Dimensions [mm]**

Screw-on mounting

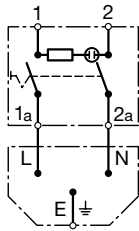
Snap-in mounting



Diagrams



Non-illuminated



illuminated

All Variants

| Panel mounting | Panel Thickness s [mm] | Illumination | Rated voltage 125/250 [V] | Color | Order Number |
|----------------|------------------------|--------------|---------------------------|-------|--------------|
| Snap-in        | 1.5                    | ●            | 250                       | red   | 4302.2102    |
| Snap-in        | 2                      | ●            | 250                       | red   | 4302.2103    |
| Snap-in        | 2.5                    | ●            | 250                       | red   | 4302.2104    |
| Snap-in        | 1.5                    | ●            | 250                       | green | 4302.2142    |
| Snap-in        | 2                      | ●            | 250                       | green | 4302.2143    |
| Snap-in        | 2.5                    | ●            | 250                       | green | 4302.2144    |
| Snap-in        | 1.5                    | -            | -                         | -     | 4302.2002    |
| Snap-in        | 2                      | -            | -                         | -     | 4302.2003    |
| Snap-in        | 2.5                    | -            | -                         | -     | 4302.2004    |
| Screw          | -                      | ●            | 250                       | red   | 4302.2101    |
| Screw          | -                      | ●            | 250                       | green | 4302.2141    |
| Screw          | -                      | -            | -                         | -     | 4302.2001    |

Most Popular.

Availability for all products can be searched real-time: <https://www.schurter.com/en/info-center/support-tools/stock-check-distributors>

Packaging unit

50 Pcs

Accessories

Description



Assorted\_Covers  
Rear Cover

0859.0075



RC320  
Rear Cover for Power Entry Module



[Cord\\_retaining\\_kits](#)  
 Cord retaining strain relief

|              |           |
|--------------|-----------|
| Flat head, A | 4700.0001 |
|--------------|-----------|

**Mating Outlets/Connectors**

**Category / Description**

[Appliance Outlet Overview complete](#)



|  |      |
|--|------|
| 4787, Mounting: Screw-on mounting, Appliance Outlet: IEC Solder terminals, 10 A, Suitable for appliances with protection class I     | 4787 |
| 4788, Mounting: Snap-in version, Appliance Outlet: IEC Solder / Quick Connect, 10 A, Suitable for appliances with protection class I | 4788 |
| IEC Appliance Outlet F or H, Screw-on Mounting, Front Side, Solder, PCB or Quick-connect Terminal                                    | 5091 |

[Connector Overview complete](#)



|   |         |
|---|---------|
| 4782 Mounting: Power Cord, 3 x 1 mm <sup>2</sup> / 3 x 18 AWG, Cable, Connector: IEC C13    | 4782    |
| 4785 Mounting: Power Cord, 3 x 1 mm <sup>2</sup> / 3 x 18 AWG, Cable, Connector: IEC C13    | 4785    |
| 4300-06 Mounting: Power Cord, 3 x 1 mm <sup>2</sup> / 3 x 18 AWG, Cable, Connector: IEC C13 | 4300-06 |
| 4781 Mounting: Power Cord, Cable, Connector: IEC C15  | 4781    |
| 4784 Mounting: Power Cord, 3 x 1 mm <sup>2</sup> / 3 x 18 AWG, Cable, Connector: IEC C15    | 4784    |